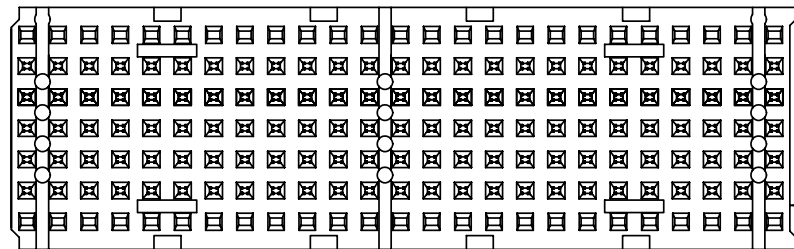


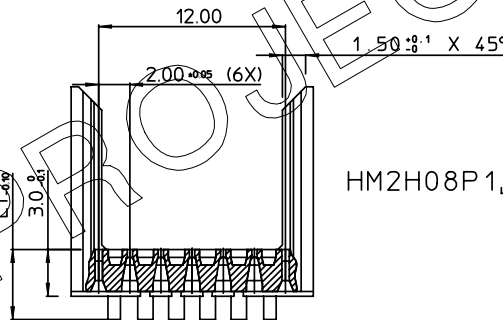
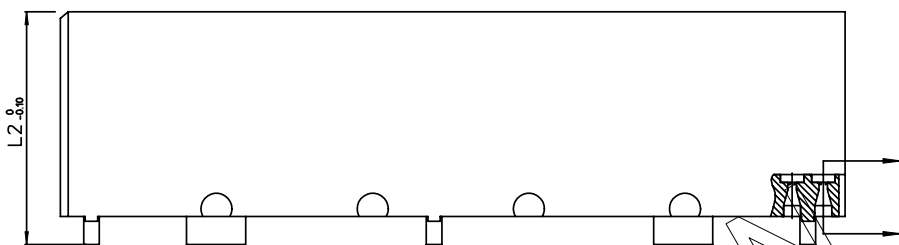
GEN. ST.	01	02	03	04	05	06	07	08	0D	50	60	70	80	90																	
INT. ST.	10	11	12	13	14	18	20	31	32	33	34	38	39	40	42	43	44	45	46	48	56	70	72	73	75	76	81	82	83	84	88

REV.	DATE	DESCRIPTION	BY	C'K'D'
A	2001-09-14	CONVERSION REVISION 06	KN	
B	2005-11-22	105-0241	ALEX B	BKP
C	2006-07-04	106-0096	VIVEK	BKP

- NOTES: 1. MEASURED AT THE BOTTOM
 2. MATERIAL: GLASSREINFORCED POLYESTER UL94 - V0
 3. THE 'LF' PRODUCT MEETS EUROPEAN UNION DIRECTIVES AND OTHER COUNTRY REGULATIONS AS DESCRIBED IN GS-22-008.
 4. PARTS WITH AND WITHOUT SUFFIX LF TO THE PRODUCT PART NUMBER ARE IDENTICAL IN FORM, FIT AND FUNCTION. LF SUFFIX IS ADDED TO THE PART NUMBER OF THIS PRODUCT TO HAVE UNIFORM IDENTIFICATION OF ALL RoHS COMPATIBLE PRODUCTS.



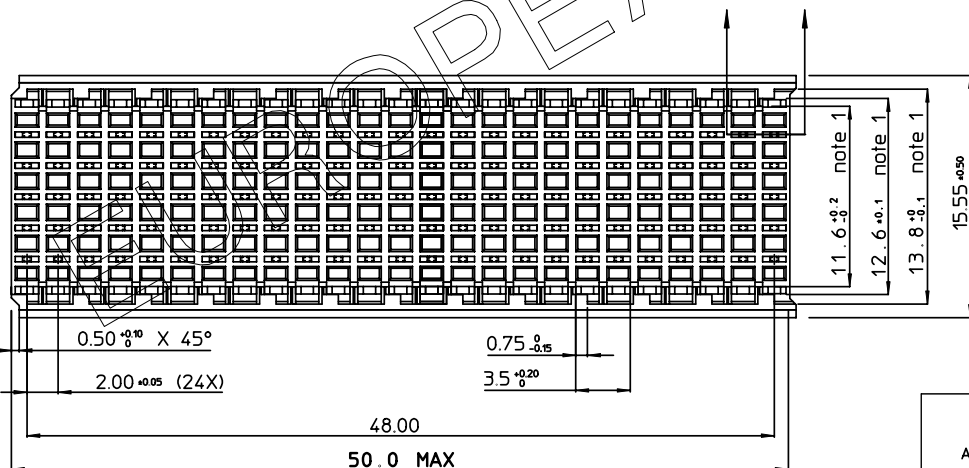
ABRIDGED CAT No MARKED



RoHS COMPATIBLE (DIGIT 11 & 12)

HM2H08P1--LF

STANDOFF HEIGHT INDICATOR



PART NUMBER	L1	L2	
HM2H08P1LF	3.0	13.45	AVAILABLE
HM2H08P109LF	3.9	14.35	AVAILABLE
HM2H08P111LF	4.1	14.55	NOT YET AVAILABLE
HM2H08P113LF	4.3	14.75	NOT YET AVAILABLE
HM2H08P115LF	4.5	14.95	AVAILABLE
HM2H08P117LF	4.7	15.15	AVAILABLE
HM2H08P119LF	4.9	15.35	AVAILABLE
HM2H08P122LF	5.2	15.65	AVAILABLE
HM2H08P130LF	6.0	16.45	AVAILABLE

1DEC ± 0.2 2DEC ± 0.1 ANGLES ± 1°	APPR.	DATE	SIGN.	HM2 HEADER (TYPE B) WITH PRESS-FIT CAVITIES
	DRAFT	1995-12-14	W.Panis	CAT. No. HM2H08P1--LF
	CHECKED			
	PROD. MGR			
	PR. ENG. MGR			
	PR. MGT. MGR			

FCI www.fciconnect.com



REFERENCES

BS,C ,201630,012 C
 DRAWING No. CUSTOMER DRAWING REVISION

THIS IS OUR EXCLUSIVE PROPERTY. IT IS NOT TO BE COPIED, REPRINTED OR DISCLOSED TO A THIRD PARTY. NOR USED FOR MANUFACTURING WITHOUT OUR WRITTEN CONSENT, AND HAS TO BE RETURNED TO US IN CASE OF NO USAGE.
 DIT IS ONZE EIGENDOM EN MAG NIET NAGEMAAKT, HERDIKT, OVERGEMAAKT AAN DERDEN, NOCH VOOR FABRICATIE GEBRUIKT WORDEN, ZONDER ONZE SCHRIFTELIJKE TOELATING. BIJ NIET GEBRUIK IS TERUGZENDING VERPLICHT.